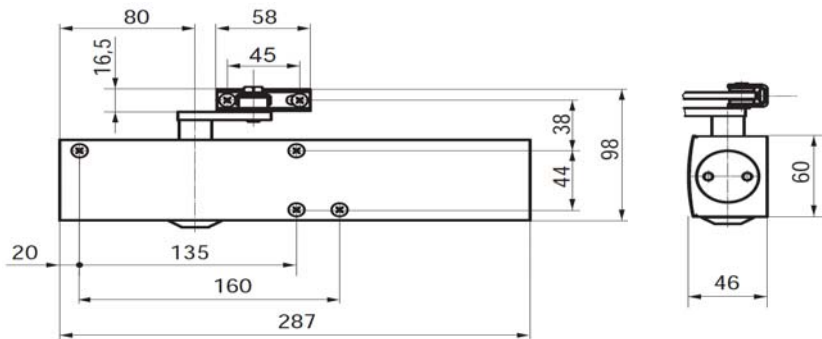


SURFACE MOUNTED RACK & PINION DOOR CLOSER



DOOR CLOSER



Ref
TS4000

Standard
BS EN1154: 1997

Fire
BS 1634-1: 2000

CE Marked
0672 – CPD – 0050

Finish

Silver (standard)

Features

- Closing force size EN 1-6 and EN 5-7 adjustable
- Optical power size indicator
- Backcheck and thermo constant closing speed adjustable at front
- Latching action adjusted via link arm
- Safety valve in open and close direction
- Can be fitted to push or pull side of leaf

Application

Doors with leaf width up to 1400mm (size 1-6 resp.) 1600mm (size 5-6). SteelGuard, FlameGuard, SoundGuard (all Grades), MarineGuard, Secureguard (Grades 1-4)

Colour Options

Dark bronze, White RAL 9016, RAL colour range also available.