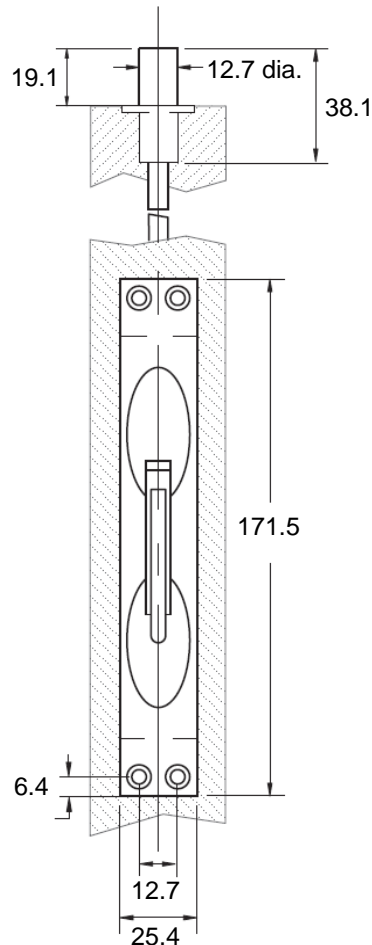


MANUAL FLUSH BOLT

ASSA ABLOY



FLUSH BOLT



Ref
FLUSH BOLT

Standard
ANSI A115

Fire
BS 476 Part 22 (4hrs)

Description

Fitted 300mm from the top and 300mm from the bottom in the leading edge of the inactive leaf of a pair of metal doors. When both leaves are closed the flush bolts cannot be seen. With the inactive leaf bolted and secure, the active leaf can be locked and both leaves become secure.

Material

Brass

Finish

Satin Chrome US26D

Face

Flat face only for use on square edged doors

Application

Steelguard, Flameguard, Soundguard (Grades 1-4), Secureguard (Grades 1-4), Marineguard